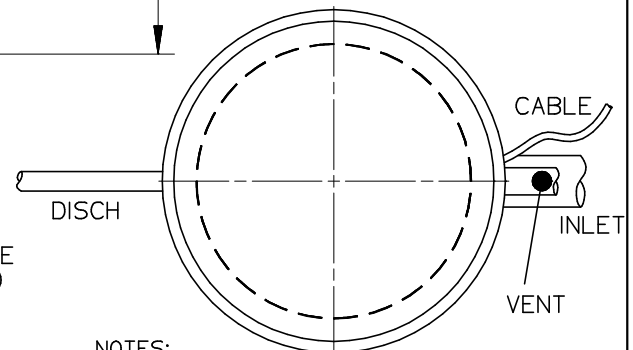
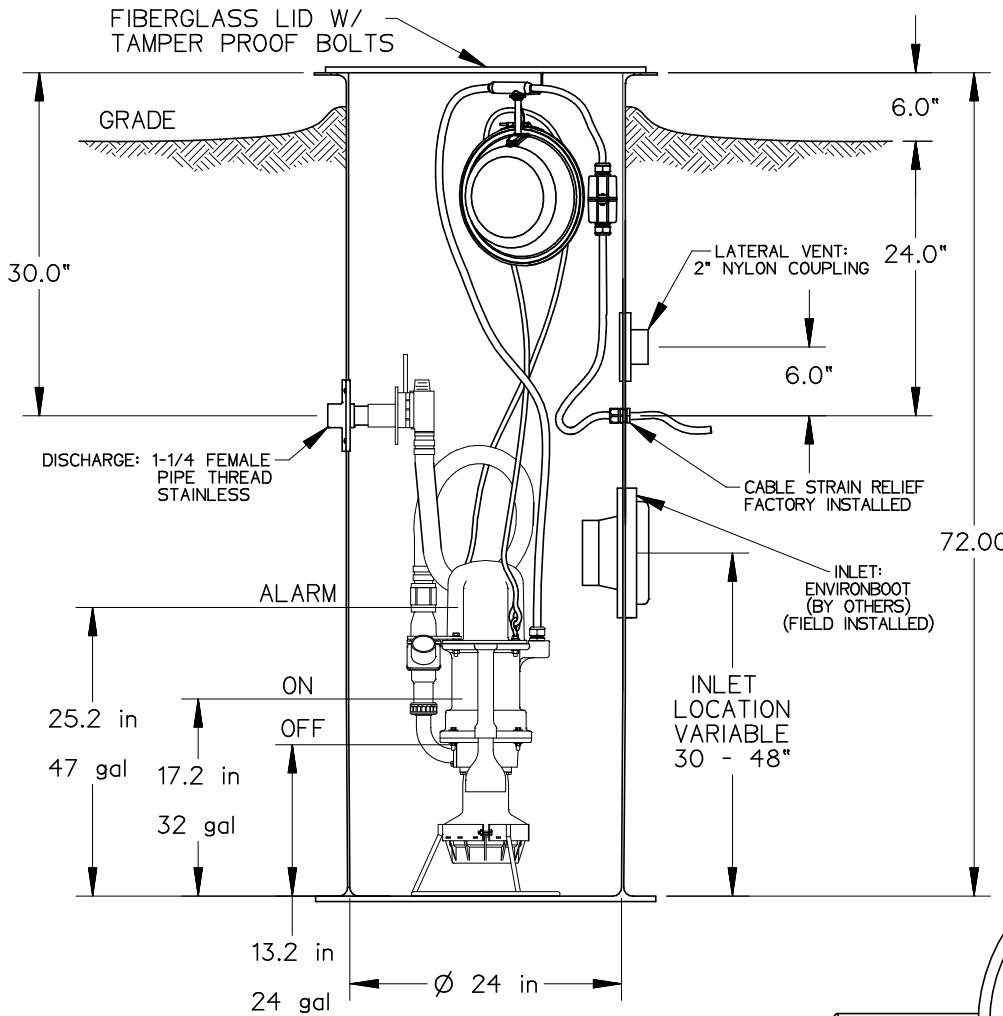


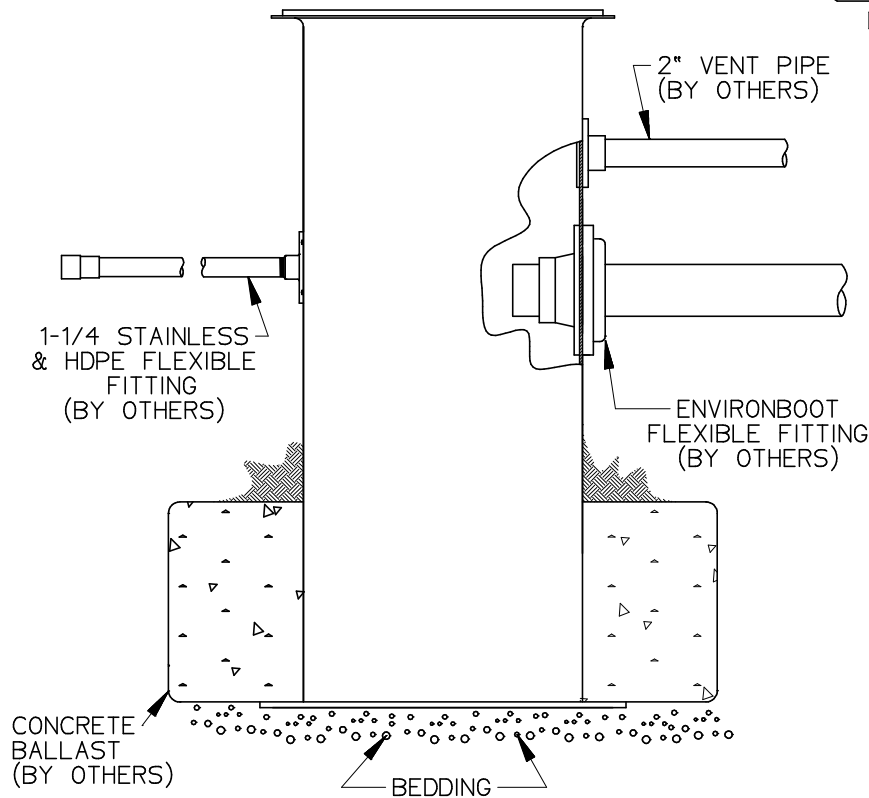
DEWEYVILLE Ø24 X 72

1 FT SUBMERGENCE
SIMPLEX STATION



NOTES:

1. INLET, DISCHARGE, AND VENT PIPES TO BE SUPPLIED BY OTHERS
2. CONCRETE BALLAST AND BEDDING SUPPLIED BY OTHERS
3. ALL ITEMS SUPPLIED BY E-ONE UNLESS OTHERWISE NOTED



SGS	CH	09-26-03	5	1/16
DR BY	CHK'D	DATE	ISSUE	SCALE

environment | one
CORPORATION

DEWEYVILLE 1' SUBMERGENCE
SIMPLEX STATION 24 X 72

ESD 01-0043